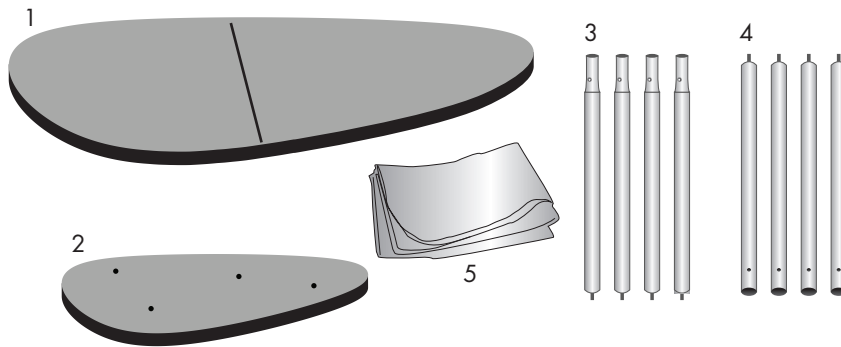


Eurofit Island

Product Parts

- 1 - Top
- 2 - Bottom
- 3 - Top Poles (x4)
- 4 - Bottom Poles (x4)
- 5 - Fabric Graphic



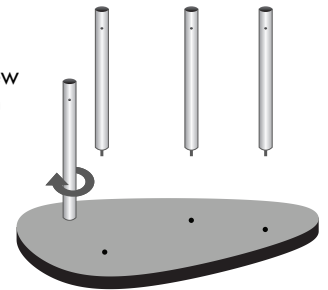
Display Set-Up

Step 1

Remove everything from soft case and place on a clean flat surface. Verify you have all parts described above.

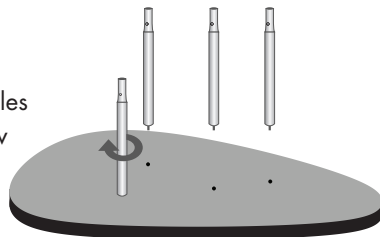
Step 2

Locate the Bottom (2). Screw in the four Bottom Poles (4) clockwise into the four screw holes.



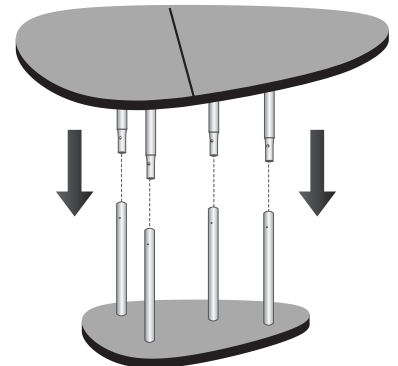
Step 3

Locate the Top (1). Turn the Top over and Screw the four Top Poles (3) clockwise into the four screw holes.



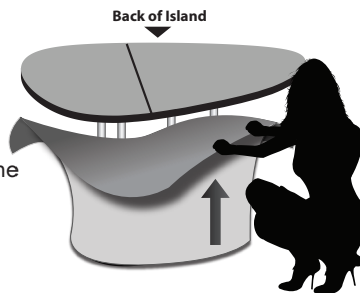
Step 4

Turn the top over and connect the four Top Poles (3) into the four Bottom poles (4) as shown.



Step 5

With the Zippers of the Graphic (5) facing the back of the Island, set the Island inside the bottom section of the graphic and pull the graphic up and over the top.



Step 6

Zip the three zippers closed



Storage & Care

Store in a cool dry location. Machine wash cold, gentle cycle. Tumble dry no heat.